

10

9

8

7

6

5

4

3

2

1

H

H

G

G

F

F

E

E

D

D

C

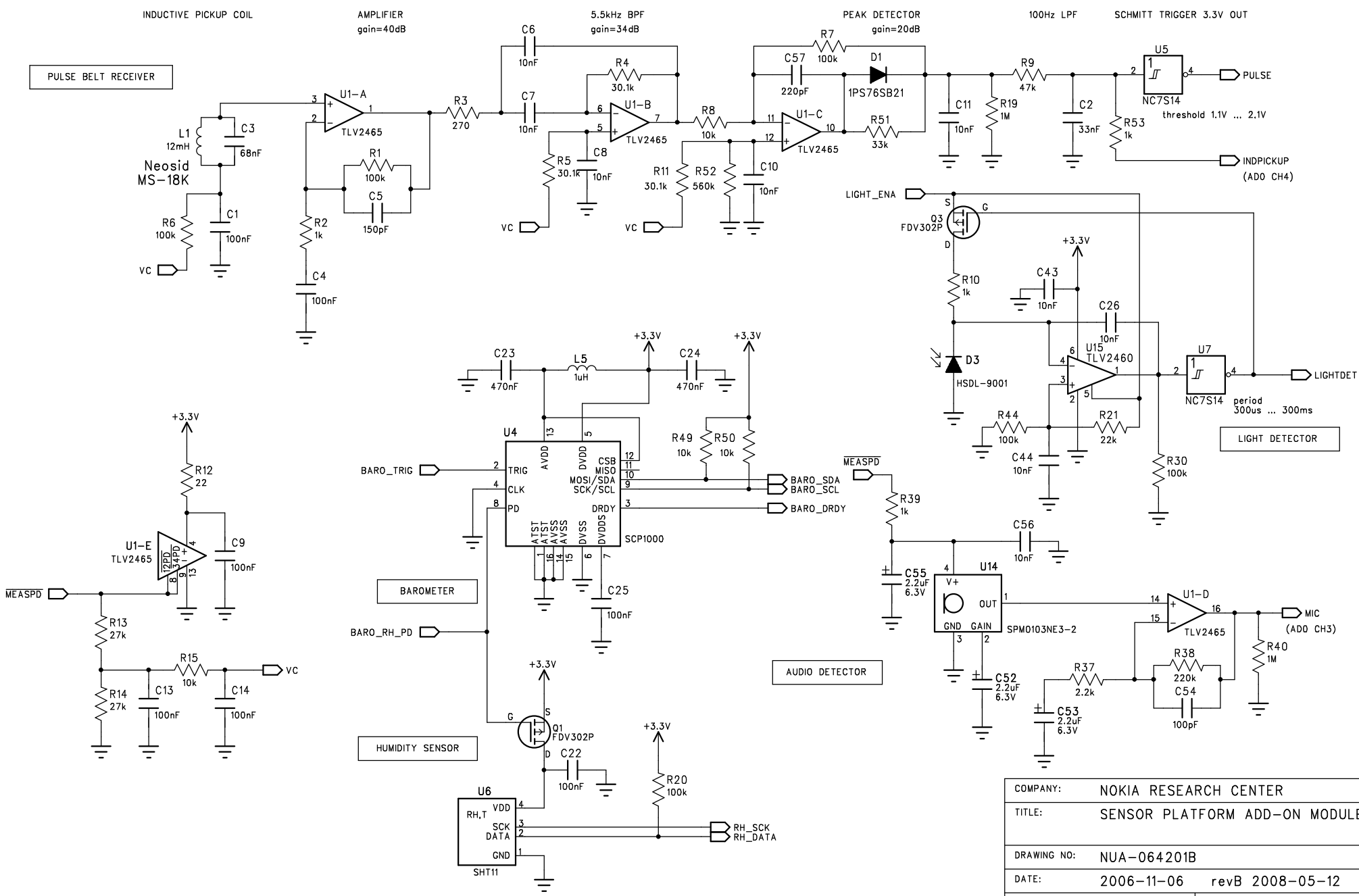
C

B

B

A

A



|             |                               |                 |
|-------------|-------------------------------|-----------------|
| COMPANY:    | NOKIA RESEARCH CENTER         |                 |
| TITLE:      | SENSOR PLATFORM ADD-ON MODULE |                 |
| DRAWING NO: | NUA-064201B                   |                 |
| DATE:       | 2006-11-06                    | revB 2008-05-12 |
| DESIGNER:   | Tom Ahola                     | SHEET: 01 OF 03 |

10

9

8

7

6

5

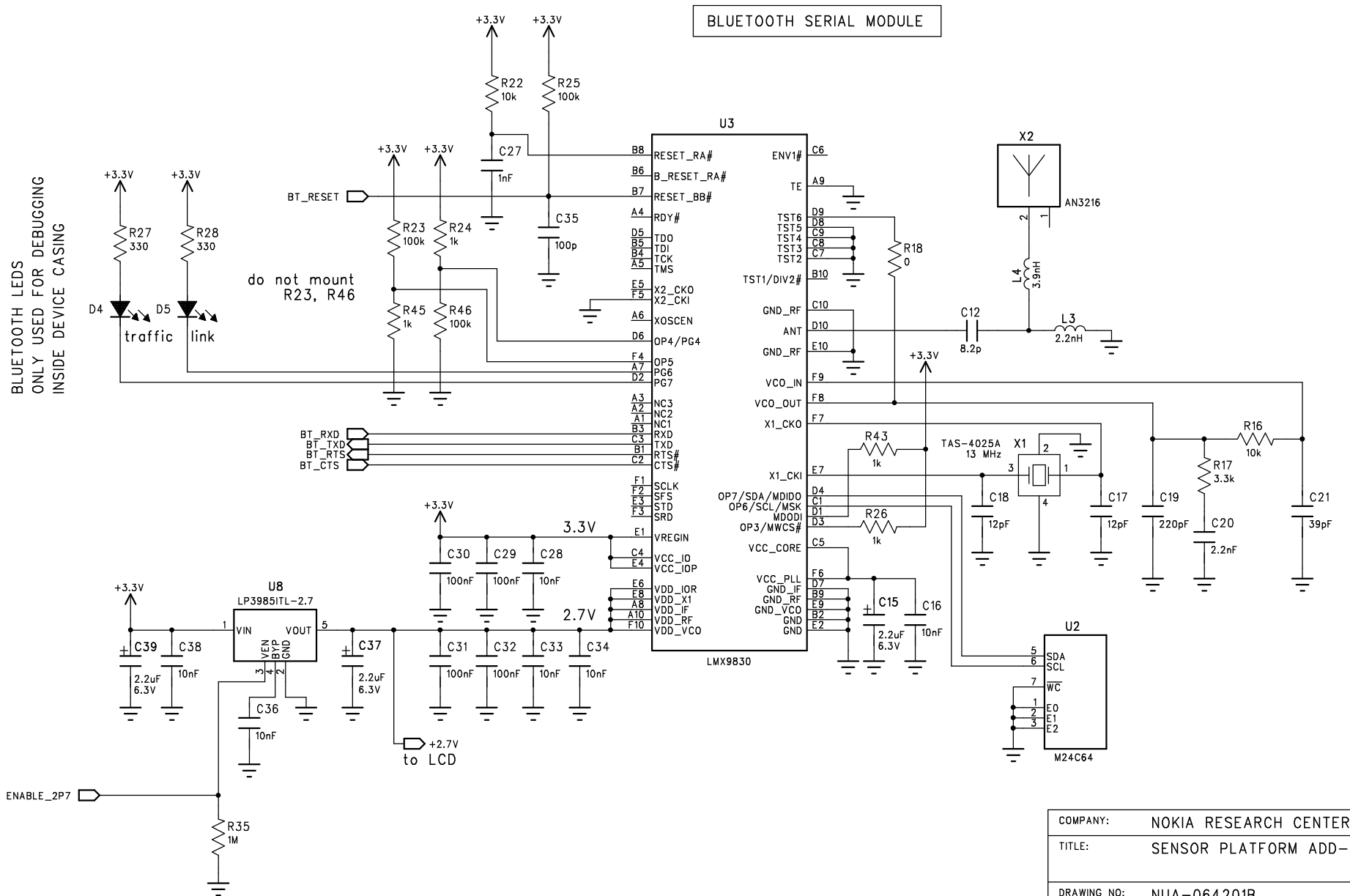
4

3

2

1

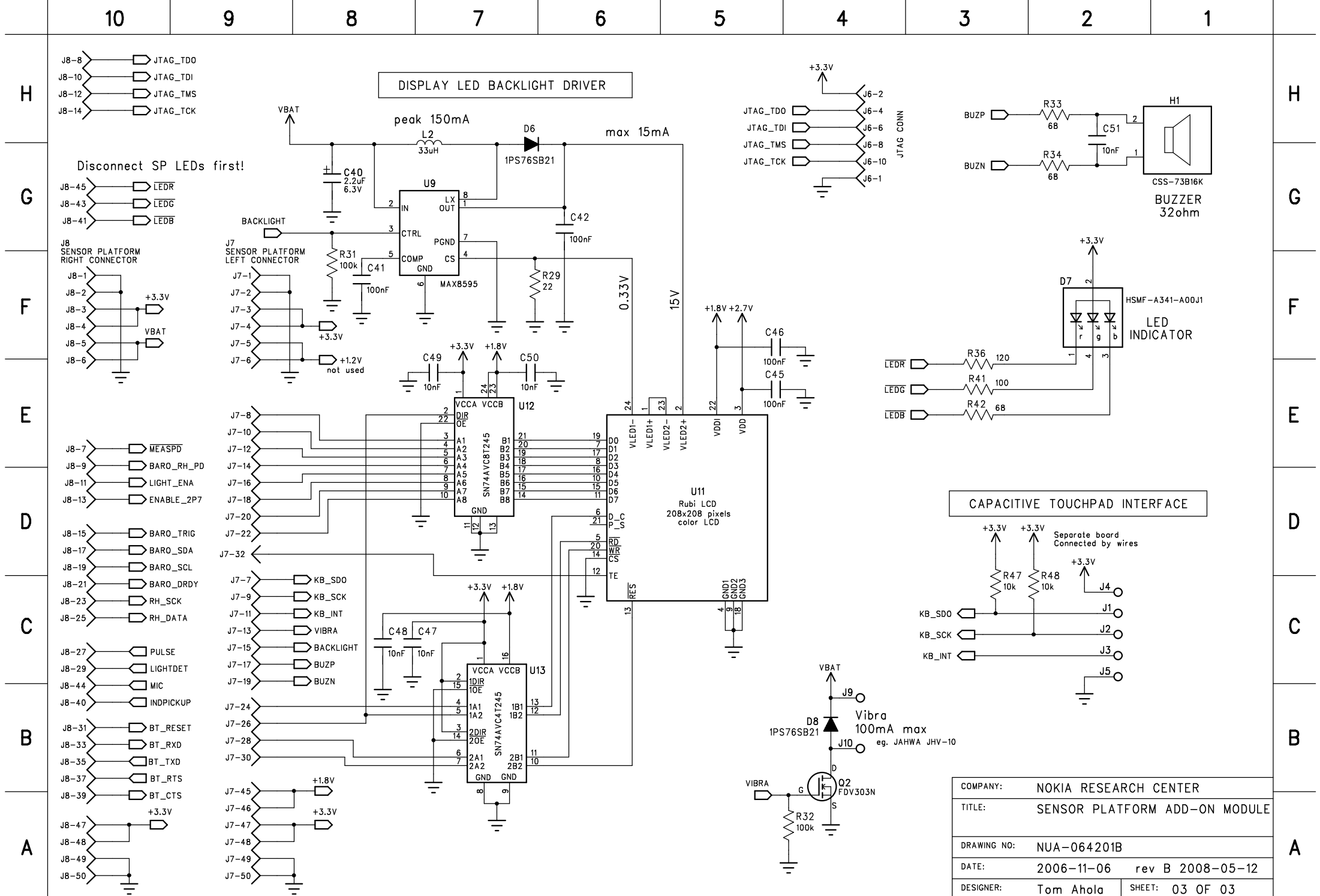
BLUETOOTH SERIAL MODULE



BLUETOOTH LEDS  
ONLY USED FOR DEBUGGING  
INSIDE DEVICE CASING

do not mount  
R23, R46

|             |                               |                  |
|-------------|-------------------------------|------------------|
| COMPANY:    | NOKIA RESEARCH CENTER         |                  |
| TITLE:      | SENSOR PLATFORM ADD-ON MODULE |                  |
| DRAWING NO: | NUA-064201B                   |                  |
| DATE:       | 2006-11-06                    | rev B 2008-05-12 |
| DESIGNER:   | Tom Ahola                     | SHEET: 02 OF 03  |



**DISPLAY LED BACKLIGHT DRIVER**

**CAPACITIVE TOUCHPAD INTERFACE**

