

10

9

8

7

6

5

4

3

2

1

H

H

G

G

F

F

E

E

D

D

C

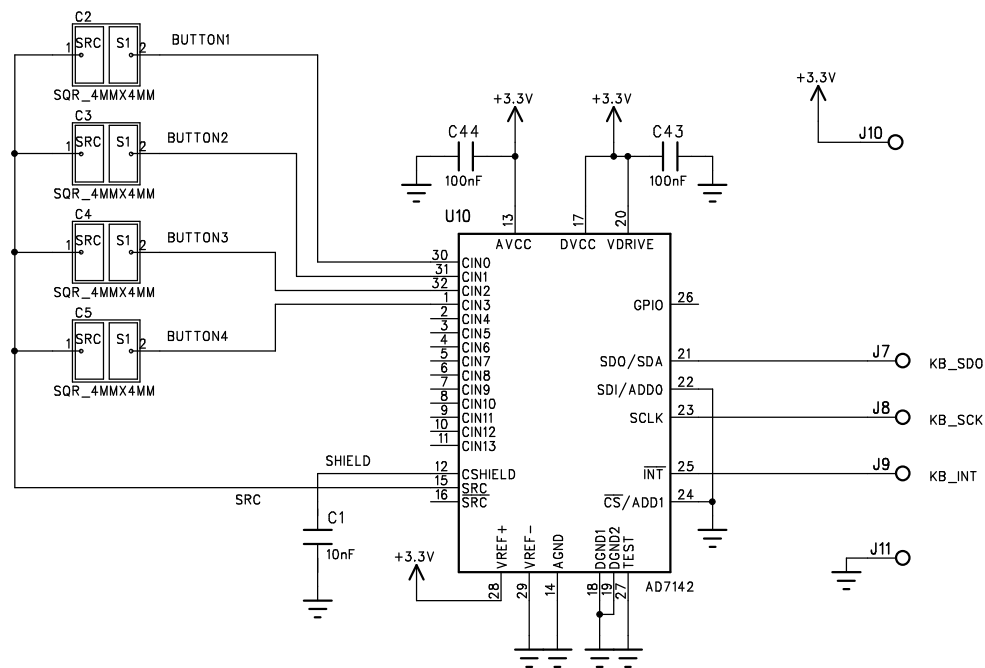
C

B

B

A

A



COMPANY:	NOKIA RESEARCH CENTER	
TITLE:	CAPACITIVE SENSING KEYPAD	
DRAWING NO:	NSP-064501A	
DATE:	2006-11-07	
DESIGNER:	Tom Ahola	SHEET: 01 OF 01

10

9

8

7

6

5

4

3

2

1