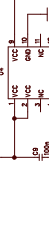
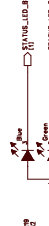


Reset moved 30.6.2006  
 PLD33\_R16 added 30.6.2006  
 PLD33\_R10:191 --> PLD33\_R10:161 30.6.2006



Try to isolate  
 VCCA from VCCD / VCCINT  
 as well as possible  
 Place caps between  
 VCCA and GND

Left side connector  
 Pins are mirrored!

All banks are 3.3V  
 Add more bypass capacitors  
 if needed for routing etc.

Right side connector  
 Pins are mirrored!

DATE	DATE	DATE	DATE

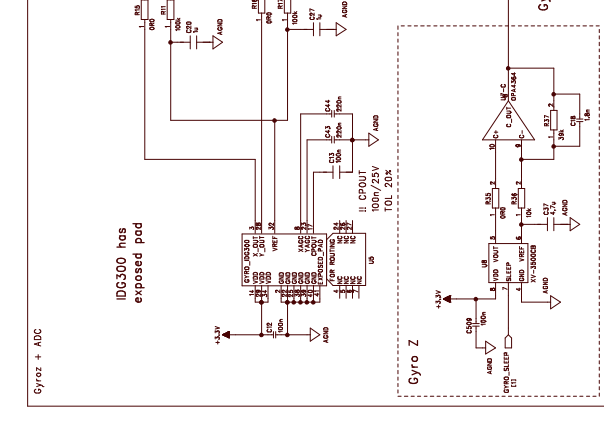
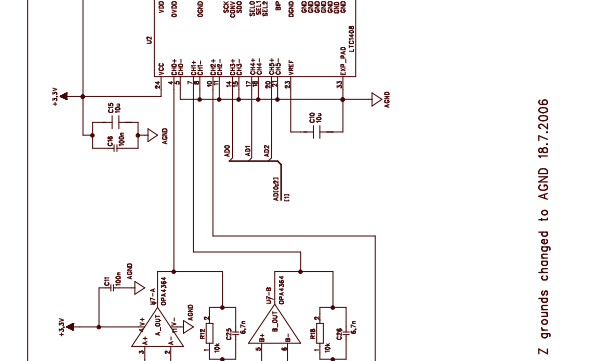
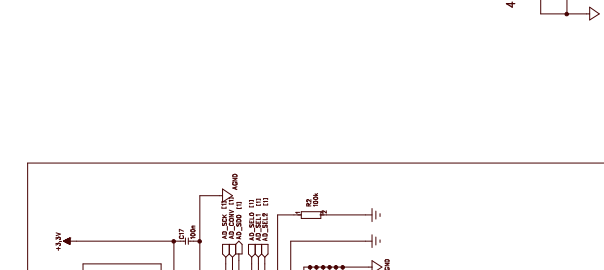
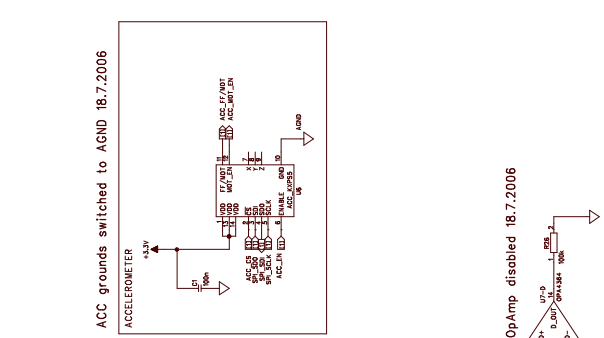
SHAPE	CODE	SCALE	SHEET	DRAWING NO.	REV.

DATE	DATE	DATE	DATE

SHAPE	CODE	SCALE	SHEET	DRAWING NO.	REV.

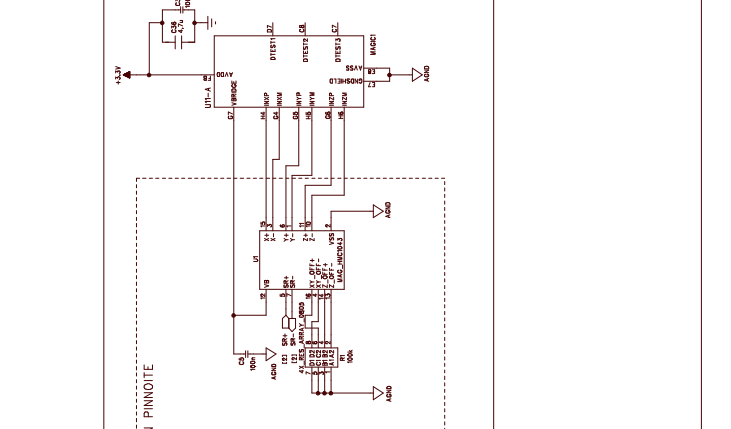
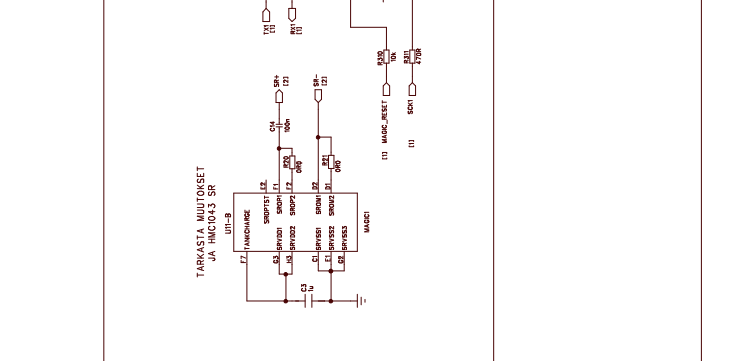
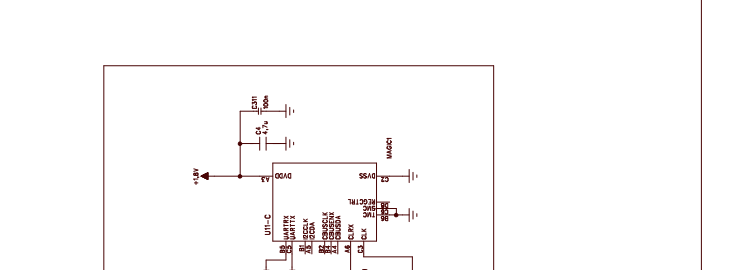
REVISION RECORD	
DATE:	APPROVED:
ECO NO.:	
LTR:	

1	
2	
3	
4	
5	
6	



COMPANY:	TITLE:
DRAWN:	DATE:
CHECKED:	DATED:
QUALITY CONTROL:	DATED:
RELEASED:	DATED:

1	
2	
3	
4	
5	
6	



COMPANY:	TITLE:
DRAWN:	DATE:
CHECKED:	DATED:
QUALITY CONTROL:	DATED:
RELEASED:	DATED:

